

Housekeeping / Room attendant trolleys

Atlas 800

Efficient housekeeping



Standard equipment

- Anodised aluminium frame
- 1 open compartment for amenities
- 3 levels for ranging clean linen
- 1 horizontal steering handle
- Grey wrap-around non-marking bumper
- 2 fixed and 2 swivelling wheels Ø160mm with non-marking polyamide layer

Technical info

- Net weight (without options): 36 kg
- Allowed weight per shelf: 35 kg

ATLAS 800

Options

- Disengagement pedal for motorised wheel
- Linen bag 160 L with zipper
- Linen bag 160 L
- Removable tray for amenities 60 or 120 mm
- Identification holder
- Broom holder combined with bag holder
- Multiple broom holders
- Aluminium dividers with cross section
- Motorisation



Waste bag holder mono and foldable base



Waste bag holder duplo (selective waste sorting) and foldable base



Waste bag curtain



Linen bag holder and foldable base



Foldable base: bottom and / or middle position



Linear dividers for amenities compartment / drawer



Lid for amenities compartment with or without lock



Lateral boxes for various uses



Mop holder and hook



Additional horizontal steering handle



Extra protection via additional swivelling corner pads



5th steering wheel



Amenities drawer



Stationery drawer including linear dividers



Doors with or without lock (opening up to 270°)



Coupling with satellite Callisto or Hermia



Stackable water tight box for tableware



15 or 30l lateral container (bacbis)

ATLAS 800

Finishes

Compact



Caviar



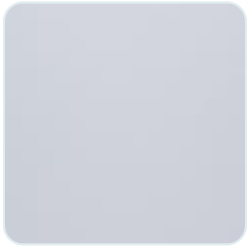
Wenge



Almond



Antique oak



Light grey



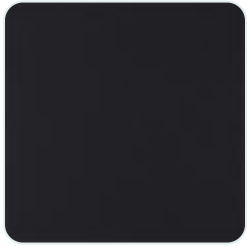
Nappa black leather



Black ash



Buffalo



Infinity black (fingerprint-free)

Anodisation



Natural



Champagne



Bronze



Black

ATLAS 800

Configuration examples



Basic model



Stationery drawer



Amenities drawer



Amenities and stationery drawer



Amenities compartment lid



Amenities compartment lid and stationery drawer



Doors



Stationery drawer and doors



Amenities drawer and doors



Amenities drawer, stationery drawer and doors

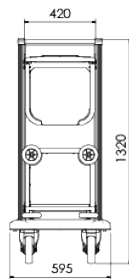
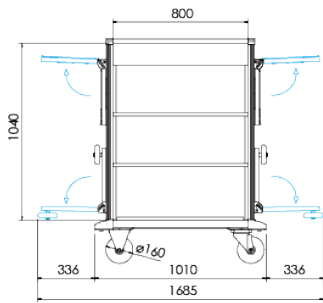


Amenities compartment lid and doors



Amenities compartment lid, stationery drawer and doors

Dimensions



ATLAS 800

Overall dimensions

Width	Depth	Height	Wheels Ø
1010 mm	595 mm	1320 mm	160 mm

Inside dimensions

Width	Depth
800 mm	420 mm

Reference

Base model
101214xx