

Housekeeping / Room attendant trolleys

Despina 650

In-room discrete housekeeping



Standard equipment

- Capacity: 4 to 6 rooms.
- Anodised aluminium frame.
- Compartment for amenities with lid.
- 3 levels for ranging clean linen.
- 2 doors (opening up to 270°).
- 1 horizontal steering handle.
- 4 swivelling wheels Ø 125 mm with non-marking polyamide / thermoplastic layer.
- 4 swivelling corner pads for protection.

Technical info

Net weight (without options): 38 kg
 Allowed weight per shelf: 35 kg

DESPINA 650

Options

- Linear dividers or partitioning for amenities compartment or drawer
- Amenities or stationery drawer (590 x 342 x 100 mm or 590 x 342 x 50 mm)
- 5th steering wheel
- Lock on doors / lock on lid
- Mop holder and hook
- Broom holder or clip for vacuum cleaner hose
- Sliding tray for vacuum cleaner
- Hook
- Identification holder



Sliding tray for vacuum cleaner



Mop holder and hook

DESPINA 650

Finishes

Compact



Caviar



Wenge



Almond



Antique oak



Light grey



Nappa black leather



Black ash



Buffalo



Infinity black (fingerprint-free)

Anodisation



Natural



Champagne

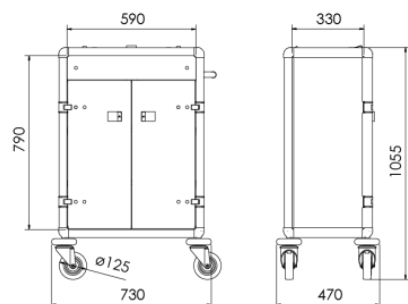


Bronze



Black

Dimensions



DESPINA 650

Overall dimensions			
Width	Depth	Height	Wheels \varnothing
730 mm	470 mm	1055 mm	125 mm

Inside dimensions	
Width	Depth
590 mm	330 mm