

F&B / Room service / Minibar restocking trolleys

Balaton 520

Minibar restocking



Standard equipment

- Anodised aluminium frame
- 1 open compartment for small products
- 3 interior possibilities :
 - 3 fixed shelves with retaining bars
 - 3 sliding trays
 - 3 drawers (depth 100mm) on telescopic rails, height adjustable
- Lockable shutter
- 4 swivelling wheels Ø125mm with non-marking thermoplastic layer
- Grey wrap-around non-marking bumper
- Horizontal steering handle

Also available with lockable doors instead of shutter.

Technical info

- Net weight (without options): 41.5 kg
- Allowed weight per shelf: 35 kg

Options

- Lockable shutter including RFID lock
- Small products compartment
 - Linear dividers
 - Partitioning
 - Lid with or without lock
- Drawers
 - Linear dividers
 - Partitioning
 - Non-slip carpet
- Accessories
 - Stackable water tight box for tableware
 - 15 or 30l lateral container (bacbis)
- Extra protection via additional swivelling corner pads

BALATON 520

Finishes

Compact finishes



Light grey

Ref xx = 09



Wenge oak look

Ref xx = 11



Black caviar look

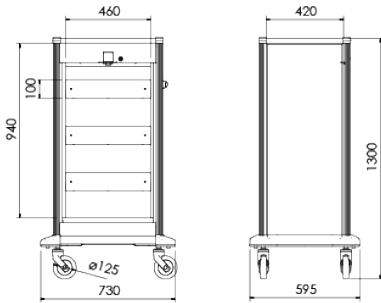
Ref xx = 14



Almond look

Ref xx = 17

Dimensions



BALATON 520

Overall dimensions			
Width	Depth	Height	Wheels Ø
730 mm	595 mm	1300 mm	125 mm
Inside dimensions			
Width	Depth		
460 mm	420 mm		
Reference			
With shelves	With 3 drawers		
170105xx	170107xx		