

Front of House / Luggage trolleys

# Fuji 900

Elegance and refinement. Reduced space.



## Standard equipment

- Integrated clothes hanger
- Base with carpet (changeable)
- Non-marking wrap-around flexible bumper
- 2 fixed and 2 swivelling wheels Ø200mm, ultra-silent, non-marking rubber

## Technical info

- Net weight: 33 kg
- Load capacity: 250 kg

# Options

- Personalisation of the crowns with logo of your establishment
- Centralised brake
- Pneumatic wheels Ø230mm
- Protective cover (can be personalised)
- Swivelling wheels with brake

FUJI 900

# Finishes

## Anodisation finishes



Silver anodised



Gold look

## Carpet finishes



blue

Ref xx = 40



Red

Ref xx = 41



Black

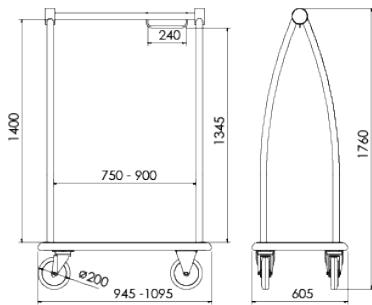
Ref xx = 42



Brown

Ref xx = 43

# Dimensions



## FUJI 900

### Overall dimensions

Width	Depth	Height	Wheels Ø
1095 mm	605 mm	1760 mm	200 mm

### Inside dimensions

Width	Height
900 mm	1345 mm

### Reference

120301xx