

Food & Beverage / Room service / Minibar restocking trolleys

e-Balaton 800

Ergonomic motorized mini-bar restocking



Standard equipment

- Anodised aluminium frame.
- 1 open compartment for small products.
- Lockable shutter.
- 2 fixed and 2 swivelling wheels Ø 160 mm with non-marking polyamide layer.
- Grey wrap-around non-marking bumper.
- Horizontal steering handle.
- 3 interior possibilities (3 fixed shelves with retaining bars, 3 sliding trays, 3 drawers on telescopic rails)

Technical info

- Net weight: xx kg
- Load capacity: 250 kg
- Working autonomy: at least 1 working day
- Charging time: 7 hours
- Power: 240 W
- Battery: AGM 12v
- Maximum forward speed: 6 km/h
- Maximum reverse speed: 3 km/h
- CE certification

Options

- Doors (opening up to 270°)
- RFID lock
- Linear dividers for small products compartment
- Lid with or without lock
- Linear dividers for drawers
- Non-slip carpet
- Stackable water tight box for tableware
- 15 or 30 L lateral container (bacbis)
- Extra protection via additional swivelling corner pad
- Corner pads extra care
- Additional fixed shelves with retaining bars
- Additional sliding trays
- Additional drawers on telescopic rails, height adjustable, up to 5
- Identification holder
- Disengagement pedal for motorised wheel
- Open gallery
- Multiple broom holders

E-BALATON 800

Finishes

Compact



Caviar



Wenge



Almond



Antique oak



Light grey



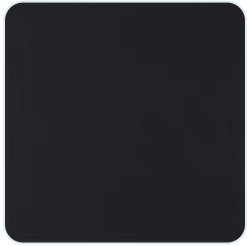
Nappa black leather



Black ash



Buffalo



Infinity black (fingerprint-free)

Anodisation



Natural



Champagne

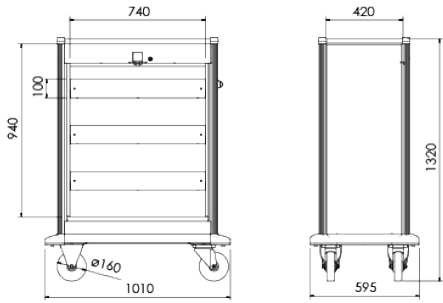


Bronze



Black

Dimensions



E-BALATON 800

Overall dimensions

Width	Depth	Height	Wheels Ø
1010 mm	595 mm	1320 mm	160 mm

Inside dimensions

Width	Depth
740 mm	420 mm