

Housekeeping / Room attendant trolleys

Tauro 650/1

Essential efficiency



Standard equipment

- 1 compartment for amenities including stationery.
- 4 swivelling wheels Ø 125 mm with grey thermoplastic tyres.
- 2 drawers 400 x 300 x 120 mm.
- 1 reclining waste bag holder with lid & 1 raising base with integrated corner pads.
- 1 mop holder and 1 ceiling mop holder.
- 1 horizontal handle.

TAURO 650/1

Finishes

Compact



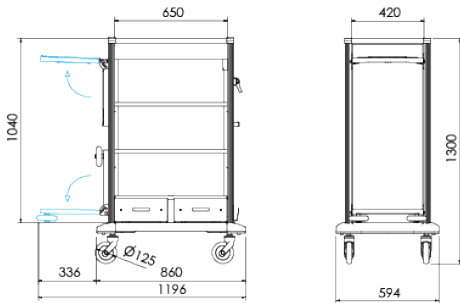
Wenge

Anodisation



Natural

Dimensions



TAURO 650/1

Overall dimensions			
Width	Depth	Height	Wheels Ø
860 mm	594 mm	1300 mm	125 mm
Inside dimensions			
Width	Depth		
650 mm	420 mm		