

Front of House / Luggage trolleys

Everest 1100

Super-silent luggage trolley



Standard equipment

- Useful width of 1100 mm.
- Large integrated clothes hanger.
- Base with carpet (changeable).
- Non-marking wrap-around flexible bumper.
- 2 fixed and 2 swivelling wheels Ø 200 mm,
- Ultra-silent.
- Non-marking rubber.
- Horizontal retaining bars.

Technical info

- Net weight: xx kg
- Load capacity: 250 kg

Options

- Gravel wheel
- Central brake
- Vertical retaining bar
- Logo
- Motorisation
- Cover
- Logo embroidery on cover
- Disengagement pedal for motorised wheel

EVEREST 1100

Finishes

Anodisation



Silver



Gold mat



Black mat



Titan



Alu chrome



Gold bright



Bronze bright



Black bright

Carpet



Blue



Red



Black



Brown

Woven vinyl



Graphite

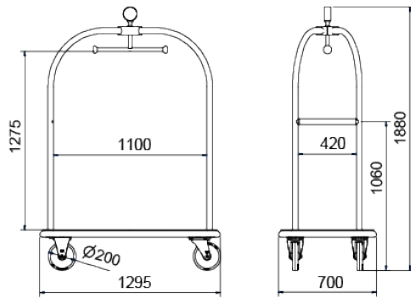


Sand



Stone

Dimensions



EVEREST 1100

Overall dimensions			
Width	Depth	Height	Wheels \varnothing
1295 mm	700 mm	1880 mm	200 mm

Inside dimensions		
Width	Depth	Height
1100 mm	420 mm	1275 mm

Reference
12xx01xx