

Housekeeping / Room attendant trolleys

e-Tauro 1200/1

Essential efficiency



Standard equipment

- 1 garbage bag holder with lid and 1 raising base with integrated corner pads
- 6 drawers 400 x 300 mm
- 4 compartments for stationery on the topcover
- 4 polyamide swiveling wheels Ø160 mm and 5th steering wheel
- 1 horizontal handle
- Mop holder and ceiling mop holder

E-TAURO 1200/1

Finishes

Compact



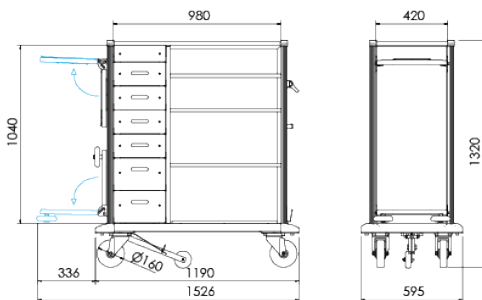
Wenge

Anodisation



Natural

Dimensions



E-TAURO 1200/1

Overall dimensions			
Width	Depth	Height	Wheels Ø
1190 mm	595 mm	1320 mm	160 mm
Inside dimensions			
Width	Depth		
980 mm	420 mm		