

Food & Beverage / Room service / Minibar restocking trolleys

# e-Balaton 1000

Ergonomic motorized mini-bar restocking



## Standard equipment

- Anodised aluminium frame.
- 1 open compartment for small products.
- Lockable shutter.
- 2 fixed and 2 swivelling wheels Ø 160 mm with non-marking polyamide layer.
- Grey wrap-around non-marking bumper.
- Horizontal steering handle.
- 3 interior possibilities (3 fixed shelves with retaining bars, 3 sliding trays, 3 drawers on telescopic rails)

# Technical info

- Net weight: xx kg
- Load capacity: 250 kg
- Working autonomy: at least 1 working day in full load.
- Charging time: 7 hours
- Power: 240 W
- Battery: 2x AGM 12v (Extra capacity battery 18Ah)
- Maximum forward speed: 6 km/h
- Maximum reverse speed: 3 km/h
- CE certification

# Options

- Doors (opening up to 270°)
- RFID lock
- Linear dividers for small products compartment
- Lid with or without lock
- Linear dividers for drawers
- Non-slip carpet
- Stackable water tight box for tableware
- 15 or 30 L lateral container (bacbis)
- Extra protection via additional swivelling corner pads
- Corner pads extra care
- Additional fixed shelves with retaining bars
- Additional sliding trays
- Additional drawers on telescopic rails, height adjustable, up to 5
- Identification holder
- Disengagement pedal for motorised wheel
- Open gallery
- Multiple broom holders

E-BALATON 1000

Finishes

**Compact**



**Caviar**



**Wenge**



**Almond**



**Antique oak**



**Light grey**



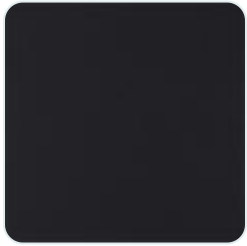
**Nappa black leather**



**Black ash**



**Buffalo**



**Infinity black (fingerprint-free)**

**Anodisation**



**Natural**



**Champagne**

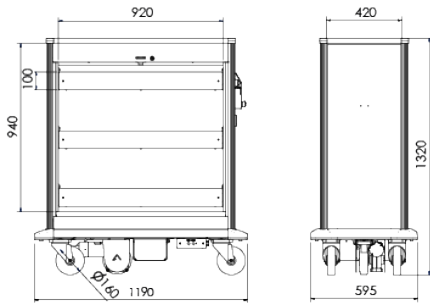


**Bronze**



**Black**

# Dimensions



## E-BALATON 1000

### Overall dimensions

Width	Depth	Height	Wheels Ø
1190 mm	595 mm	940 mm	160 mm

### Inside dimensions

Width	Depth
920 mm	420 mm