

Housekeeping / Room attendant trolleys

e-Corellia 650 Mono

Auxiliary trolley for different purposes



Standard equipment

- Anodised aluminium frame.
- 4 drawers for amenities, courtesy trays, stationery,... (height 120 mm)
- 2 drawers for miscellaneous products, chemicals, tableware,... (height 170 mm)
- 4 stationery openings at the top.
- 4 levels for ranging clean linen.
- 1 horizontal steering handle.
- Non marking grey wrap around bumper.
- 2 swivelling and 2 fixed wheels Ø 160 mm with polyamide layer.

Options

- Waste bag holder mono & foldable base
- Waste bag holder duplo (selective waste sorting) & foldable base
- Waste bag curtain
- Linen bag holder & foldable base
- Foldable base: bottom and / or middle position
- Drawer 340 mm
- Additional sliding tray
- Lateral boxes for various uses
- Mop holder and hook
- Additional horizontal steering handle
- Extra protection via additional swivelling corner pads
- Doors with or without lock (opening up to 270°)
- Coupling with satellite Callisto or Hermia
- Stackable water tight box for tableware
- 15 or 30 L lateral container (bacbis)
- Disengagement pedal for motorised wheel
- Removable tray for amenities 60 or 120 mm
- Linen bag 160 L
- Linen bag 160 L with zipper
- Identification holder
- Broom holder combined with bag holder
- Multiple broom holders
- Swivelling holder for tablet or smartphone
- Extra reinforced shelves
- Aluminium dividers with cross section

E-CORELLIA 650 MONO

Finishes

Compact



Caviar



Wenge



Almond



Antique oak



Light grey



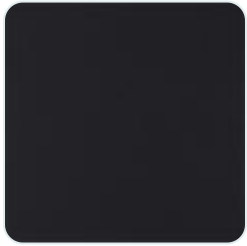
Nappa black leather



Black ash



Buffalo



Infinity black (fingerprint-free)

Anodisation



Natural



Champagne

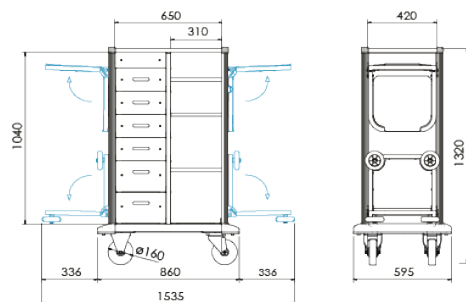


Bronze



Black

Dimensions



CORELLIA 650

Width	Depth	Height	Reference
860 mm	595 mm	1320 mm	101902xx